



KILLARK®

KFL Series LED TECHNOLOGY

*for Harsh and Hazardous
Environments*





C1D2 FLOOD – INTRODUCTION & LOGIC



PETROBRIGHT® LED

FEATURES-SPECIFICATIONS Applications

LED Floods are designed for installations where moisture, dirt, dust, corrosion and vibration may be present, or Type 3 and 4X areas where wind, water, snow, or high ambients can be expected. They can be used in locations made hazardous by the presence of flammable vapors or gases or combustible dusts as defined by the NEC/CEC/IECEX/ATEX & INMETRO.

Typical applications include manufacturing plants, and certain chemical and petrochemical processing facilities, sewage treatment plants, off-shore and dockside installations, garages and storage facilities.

Compliances

- UL-8750 for LED lighting
- ANSI/UL 1598(A)
- UL-844 Standard for lighting fixtures for hazardous locations, Class I, Division 2; Class II, Divisions 1 and 2; Class III
- CSA C22.2 no. 137-M1981 electric luminaires for use in hazardous locations
- Enclosed and gasketed
- Type 3, 4X
- IP66
- IEX suffix Zone 2/21 to IEC 60079-0, 60079-15, 60079-31 Standards

Materials

- Body, end caps and lens frame corrosion resistant copper-free aluminum alloy with baked powder epoxy/polyester finish, electrostatically applied for complete, uniform corrosion protection
- All external hardware - stainless steel
- Thermal shock and impact resistant glass lens
- High temperature silicone gasketing
- Trunnion heavy gauge galvanized steel with painted finish



LED Flood Features and Standards

Supplemental **20KA/10KV Surge Protection** is **standard** (for 120-277 VAC models)
10KA/10KV Surge Protection (for 347-480 VAC)

- Crisp White Light for Excellent Color Rendering - Chromaticity 5000K (CCT); approx. 70 CRI
- Energy Savings – High lumens per watt
- LED Array Life – 100,000+ hours with 70% initial lumens
- Long Fixture Life – 50,000 - 55,000 maintenance free hours
- Ambient suitability -50°C to 55°C up to 125W
- Instant On – Including after power interruption
- World Voltage 120 – 277VAC 50/60Hz
- Solder-LESS LED Board Connections – Vibration Resistant

Class I, Div. 2, Groups A,B,C,D
Class II, Div. 1&2, Groups EFG
Class III
Suitable for wet locations
Marine Rated (US Only)
Type 3, 4X
IP66

File LR11713
IEC Ex Rated model (w/IEX suffix)
Zone 2 and Zone 21 areas
Ex nA IIC T6...T3, Gc
Ex tb IIIC T160°C Db
Tamb -50°C <Ta<+55°C, IP66

IECEX Certificate
CSA 14.0002X

ATEX Certificate
CML 14ATEX3087/4088

PATENTED LUMINAIRE DESIGN



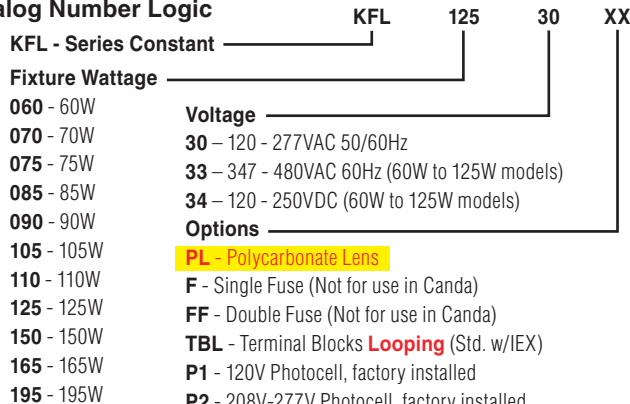
KFL with KFS-6 Slipfitter mount on 2" pipe



Dark Sky Visor KFL-DARK

IEC Units include Qty. 3 6mm terminals plus external ground as standard

Catalog Number Logic



Consult website for current list of approved luminaires

PL - Polycarbonate Lens

- F - Single Fuse (Not for use in Canada)
- FF - Double Fuse (Not for use in Canada)
- TBL - Terminal Blocks **Looping** (Std. w/IEX)
- P1 - 120V Photocell, factory installed
- P2 - 208V-277V Photocell, factory installed
- P3 - 347V Photocell, factory installed
- D20 - 2x M20 entries
- D25 - 2x M25 entries
- D75 - 2 x 3/4" NPT
- SY - 316 SS Yoke
- IEX - IECEx & ATEX includes TBL and External Ground (to 125W)



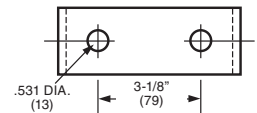
C1D2 FLOOD – ORDERING INFORMATION & TECHNICAL DATA

ORDERING INFORMATION AND AMBIENT SUITABILITY						C1D2		C1D2 SIMULTANEOUS		C2D1		IEC ZONE 2		IEC ZONE 21	
CATALOG NO.	WEIGHT LBS./KG	WATTS	VOLTAGE	AMPS	DELIVERED LUMENS	40°C	55°C	40°C	55°C	40°C	55°C	40°C	55°C	40°C	55°C
KFL06030	30.00 / 13.61	60	120-277VAC	0.50-0.20	6111	T6	T5	T3C	T3C	T3C (EFG)	T3C (EFG)	T6	T5	145	160
KFL07030		70	120-277VAC	0.60-0.30	9742	T6	T5	T3C	T3C	T3C (EFG)	T3C (EFG)	T6	T5	145	160
KFL07530		75	120-277VAC	0.60-0.30	7454	T6	T5	T3C	T3C	T3C (EFG)	T3C (EFG)	T6	T5	145	160
KFL08530		85	120-277VAC	0.70-0.30	10840	T6	T5	T3C	T3C	T3C (EFG)	T3C (EFG)	T6	T5	145	160
KFL08533			347-480VAC	0.24-0.17											
KFL08534		120-250VDC	0.70-0.27	9023	T6	T5	T3C	T3C	T3C (EFG)	T3C (EFG)	T6	T5	145	160	
KFL09030		120-277VAC	0.80-0.40												
KFL09033		90	347-480VAC	0.28-0.23	10370	T4A	T4A	T3C	T3C	T3C (EFG)	T3C (EFG)	T4	T4	145	160
KFL09034			120-250VDC	0.80-0.36											
KFL10530		105	120-277VAC	0.90-0.40	13780	T6	T5	T3C	T3C	T3C (EFG)	T3C (EFG)	T6	T5	145	160
KFL10533			347-480VAC	0.31-0.23											
KFL10534		120-250VDC	0.90-0.36	15340	T6	T5	T3C	T3C	T3C (EFG)	T3C (EFG)	T6	T5	145	160	
KFL11030		120-277VAC	0.90-0.40												
KFL11033		110	347-480VAC	0.31-0.23	18550	T5	-	T3C	-	T3C (EFG)	-	T5	T5	160	160
KFL11034			120-250VDC	0.90-0.36											
KFL12530		125	120-277VAC	1.00-0.50	19220	T5	-	T3C	-	T3C (EFG)	-	T5	T4	160	160
KFL12533			347-480VAC	0.35-0.29											
KFL12534		120-250VDC	1.00-0.45	21940	T5	-	T3C	-	T3C (EFG)	-	T5	T4	160	160	
KFL15030		150	120-277VAC												1.25-0.54
KFL16530		165	120-277VAC	1.38-0.60											
KFL19530	195	120-277VAC	1.63-0.70												

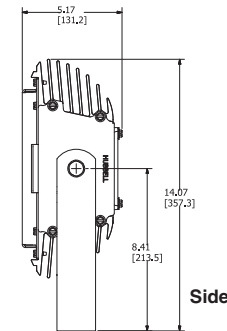
KFL MOUNTS AND ACCESSORIES

CATALOG NUMBER	DESCRIPTION
KFS-6	Steel Slipfitter for 2" Pipe (2-3/8" o.d.) Tenon. Slips 3.75" Over Pipe.
KFCB	Heavy Duty Cast-Iron Crossarm Fitting for Horizontal Trunnion
KFWB	Heavy Duty Wall Mount and/or Pipe Clamp Fitting Clamps 2" Pipe (2-3/8" o.d.) Through 2-1/2" Pipe (2-7/8" o.d.)
K4040	Heavy Duty Steel Wall Bracket. (Must be with KFCB Crossarm Fitting)
4041	Heavy Duty Steel Wall Bracket 2" Pipe (2-3/8" o.d.) Tenon Fitting. Uses with KFS-6
KFLG	Wire Guard, 316 Stainless Steel (not used with KFL-DARK)
VMSC10	10' Stainless Steel Safety Cable with loop grip
KFL-DARK	Dark Sky Visor, White Painted Aluminum (not used with KFLG)
KFL-DOOR	Replacement Door and Lens Assembly (for units w/o internal reflectors)
KFL-DOOR2	Replacement Internal Reflector and Lens Assembly

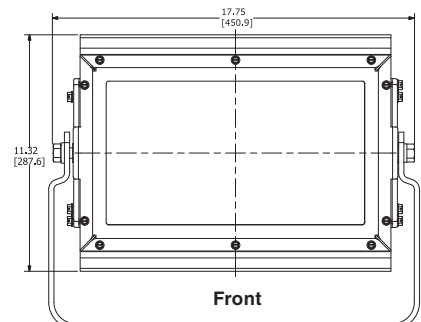
Dimensions



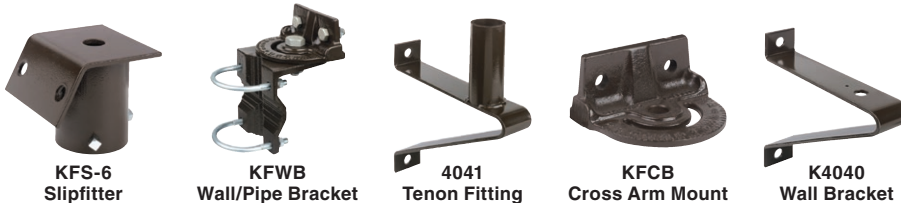
Trunnion Mounting Detail



Side



Front



KFS-6 Slipfitter

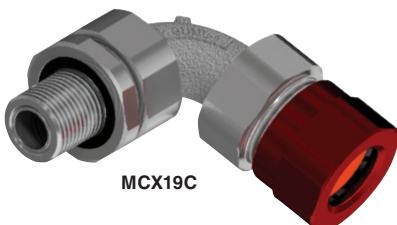
KFWB Wall/Pipe Bracket

4041 Tenon Fitting

KFCB Cross Arm Mount

K4040 Wall Bracket

CABLE GLAND ORDERING OPTIONS



MCX19C

CATALOG #	ENTRY THREAD SIZE (NPT)	BEND	CABLE ACCEPTANCE DETAILS	
			DIAMETER 'C'	
			MIN.	MAX.
MCX19C	1/2"	90°	.60" (15.2)	.82" (20.8)
MCX29	3/4"	90°	.73" (18.5)	1.03" (26.2)

For entire series, please see www.hubbell-killark.com



CERTILITE[®] DESIGN

LIGHTING DESIGN SOFTWARE

Copyright ©2014 All Rights Reserved

- **Modern “Ribbon” Windows Interface with “Real Time” Calculations**
- **Easily import/export of CAD files (DWG/DXF/PDF)**
- **Enhanced photometric database with luminaire images and wireframes**
- **Ability to draw round or complex rooms and grids**
- **False Colors to indicate “Relative Brightness”**

See “Lighting Software link” at www.hubbell-killark.com to download

HKSB-KFL 01-18 © Killark, 2018

KILLARK[®]

Hubbell Killark
3940 Dr. Martin Luther King Drive • St. Louis, MO 63113
Phone: (314) 531-0460 • Fax: (314) 531-7164
www.hubbell-killark.com



Harsh & Hazardous